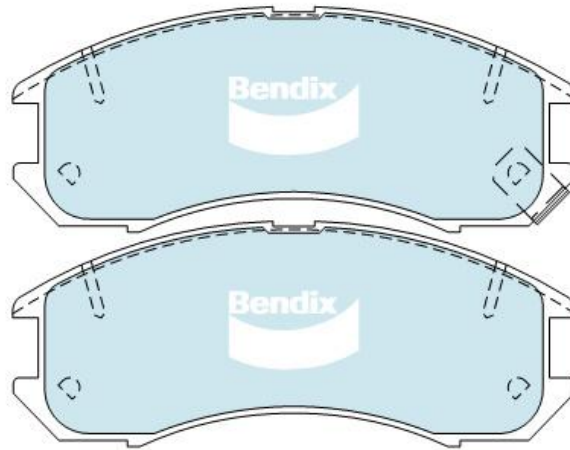


DB1114

Ranking: 142

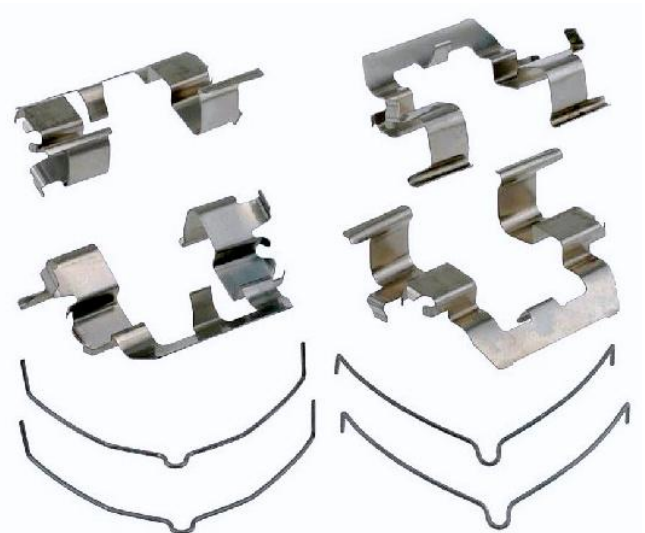


FSMI: 7288-399

130 x 50.5 x 15.5 mm

TS1933

THK13240



Manufacturer	Model	Year	Model Variant	Front
Eunos	300	1989 - 1992	1.8 MA8PE, 2.0 MAEPE	DB1114
Ford	Orion	1988 - 1992	GT	DB1114
Ford	Probe	1988 - 1992	BT2PT, BT21, BT22, PT22	DB1114
Ford	Probe	1988 - 1992	GT	DB1114
Ford	Telstar	1987 - 1991	1.6 GD6PF, 1.8 GD8PF, 2.0 GDFPF (Disc / Drum)	DB1114
Ford	Telstar	1987 - 1991	1.8 GD8AF, 2.0 GDEAF, GDEPF (4 Wheel Disc)	DB1114
Ford	Telstar	1987 - 1991	1.8 GD8RF (AWD), 2.0 GDERF (AWD)	DB1114
Ford	Telstar	Oct 1987 - 1991	AV, AT, GD, GL, TX5	DB1114
Ford	Telstar	1990 - 1997	2.0 GVERF Wagon	DB1114
Ford	Telstar	1990 - 1997	2.0 GVFWF Wagon	DB1114
Mazda	626	Oct 1987 - 1991	GD Series, Turbo, Coupe & Hatchback	DB1114
Mazda	626	Oct 1989 - 1997	GV Series Wagon (2WD)	DB1114
Mazda	626	Mar 1992 - 1997	GV Series Wagon (4WD)	DB1114
Mazda	Capella	Feb 1987 - Oct 1991	GD Series (Disc / 200mm Drum)	DB1114
Mazda	Capella	Feb 1987 - Oct 1991	GD Series (Disc / 229mm Drum)	DB1114
Mazda	Capella	Feb 1987 - Oct 1991	GD Series 2WD (Disc / Disc)	DB1114
Mazda	Capella	Feb 1987 - Oct 1991	GD Series AWD (Disc / Disc)	DB1114
Mazda	Capella Wagon	Jan 1988 - Oct 1997	GV Series 2WD (Disc / Disc)	DB1114
Mazda	Capella Wagon	Jan 1988 - Oct 1997	GV Series AWD (Disc / Disc)	DB1114
Mazda	MX6	1988 - 1992	2D Coupe 2.5. Turbo	DB1114