

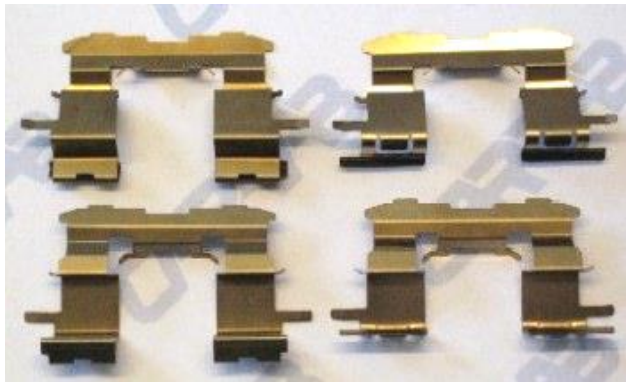
**DB1422**  
**Ranking: 18**



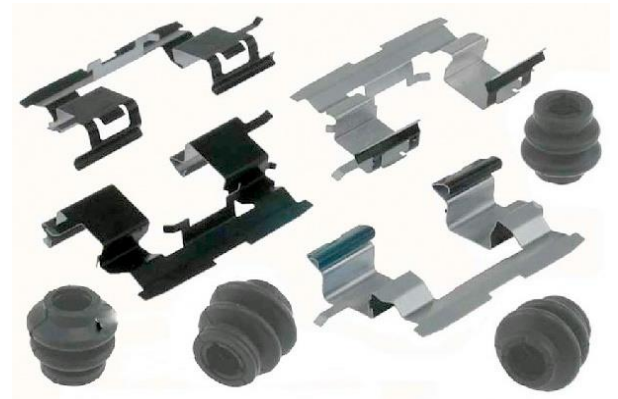
**FSMI: 7695-D822**

**116 x 52 x 16 mm**

**TS2299**



**THK13420Q**



Manufacturer	Model	Year	Model Variant	Front
Toyota	Camry	Apr 2000 - Jul 2003	1.8 ZZV50 (Japan) (Disc / 200mm Drum)	DB1422
Toyota	Celica	Nov 1999 - 2005	ZZT230 (Disc / Drum)	DB1422
Toyota	Celica	2000 - NOW	GT 1.8 (U.S.A)	DB1422
Toyota	Corolla	Dec 2001 - NOW	ZZE122R 1.8 Ascent (Jap. - VIN JDT...) Sumitomo Front	DB1422
Toyota	MR2	Oct 2000 - NOW	Spyder 2D 1.8 ZZW30R	DB1422
Toyota	Prius	Oct 2001 - 2003	4D Sedan 1.5 [NHW11]	DB1422
Toyota	Prius	2003 - Aug 2004	4D Sedan 1.5 [NHW20]	DB1422
Toyota	Prius	Aug 2004 - Jun 2009	4D Sedan 1.5 [NHW20]	DB1422
Toyota	Sprinter	Aug 2000 - NOW	E120 Series (Not ZZE123) (Disc / 200x30 Drum)	DB1422
Toyota	Sprinter	Aug 2000 - NOW	E120 Series (Not ZZE123) (Disc / Disc)	DB1422