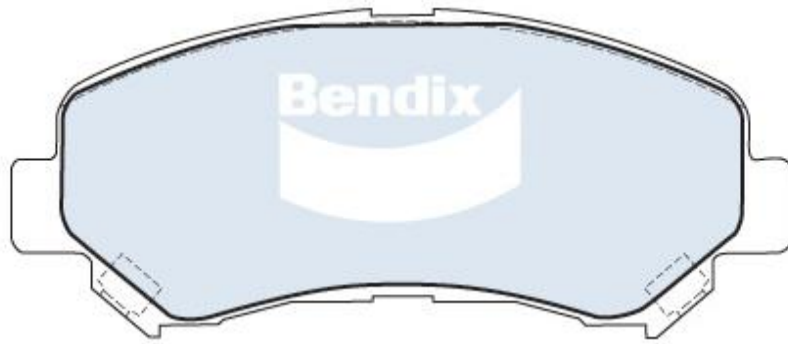


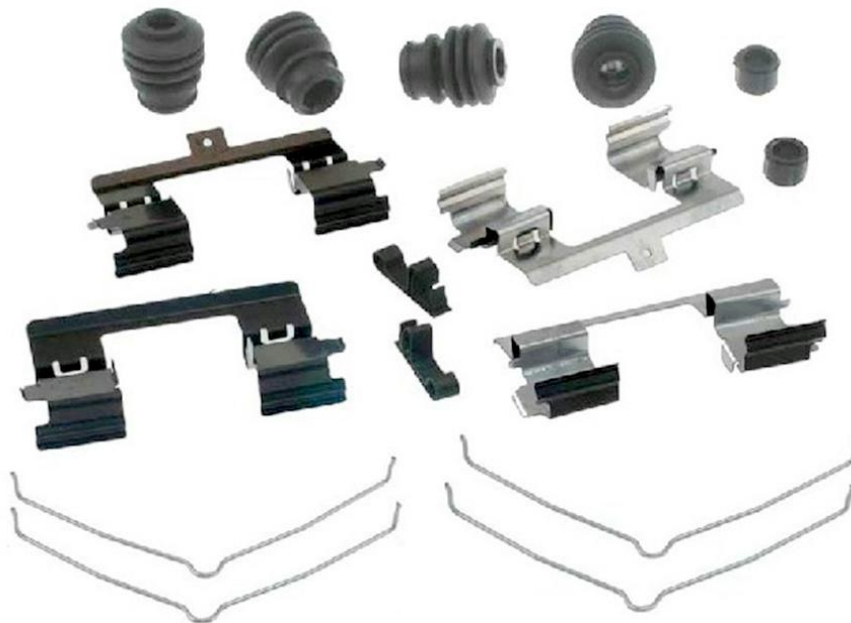
DB1946
Ranking: 276



FSMI: 8449-D1338

141 x 59 x 17 mm

THK13545Q



Manufacturer	Model	Year	Model Variant	Front
Nissan	Dualis	Oct 2007 - NOW	2.0 AWD Wagon	DB1946
Nissan	X-Trail	2007 - 2008	T31	DB1946